

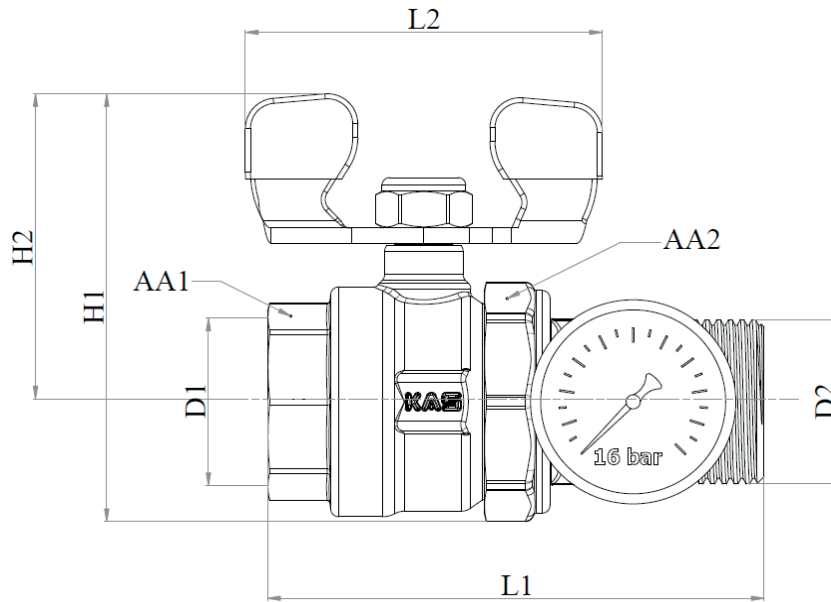
BUTTERFLY BRASS BALL VALVE PN40 WITH MANOMETER & UNION

KAS[®]



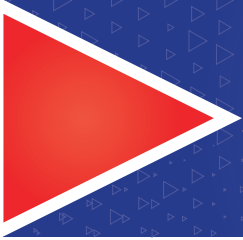
TECHNICAL DATA SHEET

Product Name	Butterfly Brass Valve PN40 With Manometer & Union
Working Temperature	-10°C / +100°C
Pressure Class	PN 40
Intended Use	Plumbing Systems



DIMENSIONS

CODE	08.16.327
DN	25
D1 (thread)	1"
D2 (thread)	1"
AA1	36,5
AA2	45
L1	98
L2	70
H1	84
H2	61
MANOMETER RANGE	0 - 16 Bar



BUTTERFLY BRASS BALL VALVE PN40 WITH MANOMETER & UNION

KAS®

SURFACES FINISH	
BODY	BRASS (CW617N)/(CW614N)
COVER	BRASS (CW617N)/(CW614N)
BALL	BRASS (CW617N)/(CW614N)
UNION	BRASS (CW617N)/(CW614N)
BALL	PTFE (TEFLON)
POLE	BRASS (CW617N)/(CW614N)
POLE ORIGIN	NBR
HANDLE	STEEL

MATERIALS	
BODY	NICKEL
COVER	NICKEL
BALL	NICKEL / NICKEL + CHROME
UNION	NICKEL
HANDLE	PLASTIC (Different Color Option)

INSTALLATION AND USAGE INSTRUCTION

- 1- Do not unpack the valve until installation to prevent falling of any unwanted substance that may affect the working of valve.
- 2- Take measures against any possible damage that may occur during transport and shipment.
- 3- Clean away every unwanted substance in your system before installation.
- 4- Valve should be off position while installing.
- 5- Be careful that the thread length of the part that will be installed to the valve will not be too longer or too shorter than the thread length of the valve.
- 6- While installing, grab the valve by the appropriate tool from the across flats where you'll install it.
- 7- During installation do not use excessive adhesive or any unsuitable substance.
- 8- Use the valve fully open or fully closed position.
- 9- Do not paint the valve. Do not expose the valve with abrasive chemicals.
- 10- Do not use any other tools for opening or closing the valve and do not remove the handle.
- 11- In case of any damage or disorder, valve should be changed by authorities.
- 12- Complying with the installation and usage instruction is compulsory. Otherwise, the product will be out of guarantee.
- 13- Do not forget to get the document of guarantee. This document is valid only with the related bill.