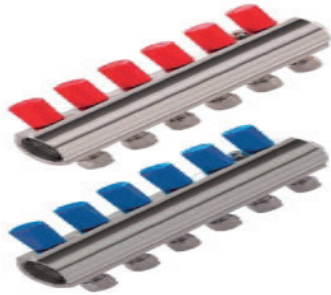


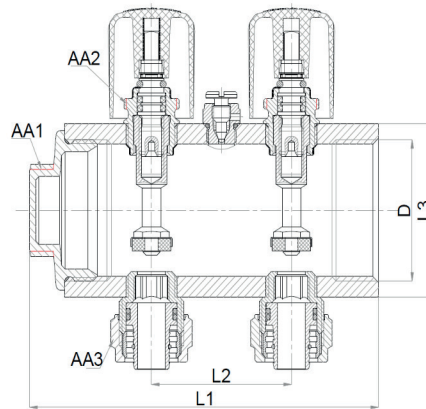
1 1/4" MANIFOLD COMPLETED TYPE

KAS®



TECHNICAL DATA SHEET

Product Name	1 1/4" Manifold Completed Type
Standard	TSE K
Max. Flow Temperature	90°C
Pressure Class	PN 10
Intended Use	Plumbing System



PRODUCT CODE -1803...

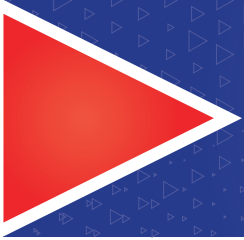
Dim.	702	703	704	705	706	707	708	709	710	711	712	713
D	1 1/4"	1 1/4"	1 1/4"	1 1/4"	1 1/4"	1 1/4"	1 1/4"	1 1/4"	1 1/4"	1 1/4"	1 1/4"	1 1/4"
L1	112,2	157,2	202,2	247,2	292,2	337,2	382,2	427,2	272,2	517,2	562,2	607,2
L2	45	45	45	45	45	45	45	45	45	45	45	45
L3	51	51	51	51	51	51	51	51	51	51	51	51
AA1	24	24	24	24	24	24	24	24	24	24	24	24
AA2	16	16	16	16	16	16	16	16	16	16	16	16
AA3	24	24	24	24	24	24	24	24	24	24	24	24

MATERIAL PROPERTIES

BODY	BRASS (CW617N)/(CW614N)
SALMASTAR	BRASS (CW617N)/(CW614N)
COVER	BRASS (CW617N)/(CW614N)
NUT	BRASS (CW617N)/(CW614N)
TIP	BRASS (CW617N)/(CW614N)
RING	BRASS (CW617N)/(CW614N)
PURJOR	BRASS (CW617N)/(CW614N)
GASKET O RING	NBR/EPDM
FLYWEEL	PLASTIC

SURFACE PROPERTIES (COATING)

BODY	NICKEL
SALMASTAR	NICKEL
COVER	NICKEL
NUT	NICKEL



1 1/4" MANIFOLD COMPLETED TYPE

KAS[®]

INSTALLATION and OPERATING INSTRUCTION

- 1- Make sure there is no damage on the product may occur during transport and shipping. Before assembly do not unpack the product in order to prevent from the external effects.
- 2- Clean all kinds of contaminants before assembly.
- 3- Make sure that the thread length to be connected to the valve is not too short or too long than the thread length of the valve.
- 4- Keep the valve in closed position during installation. Install the valve with the appropriate tool from the side where you'll mount it.
- 5- **Use enough flax or plumping adhesive.**
- 6- Use the valve full open or full closed
- 7- While opening and closing the valve, follow the arrows on the handle.
- 8- Do not paint the valve, do not expose the valve with abrasive chemicals,
- 9- Do not open or close with any other tool and do not remove the handle.