

# 16x2 EUROCONE CONNECTION SET

# KAS®

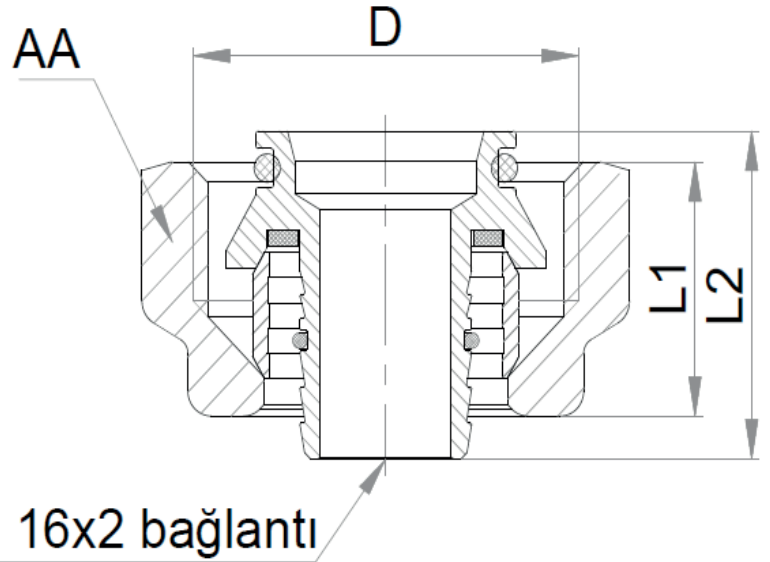


## TECHNICAL DATA SHEET

<b>Product Name</b>	16x2 Eurocone Connection Set
<b>Intended Use</b>	Installation Systems

## DIMENSIONS

<b>Code</b>	18.09.520
<b>D</b>	3/4"
<b>AA</b>	30
<b>L1</b>	16,2
<b>L2</b>	20,9



## MATERIALS

<b>TIP</b>	BRASS (CW617N)/(CW614N)
<b>NUT</b>	BRASS (CW617N)/(CW614N)
<b>RING</b>	BRASS (CW617N)/(CW614N)
<b>GASKET</b>	NBR
<b>O-RING</b>	NBR
<b>TIP TEFLON</b>	PTFE

## MATERIALS

<b>Ring</b>	NICKEL
<b>NUT</b>	NICKEL



## 16x2 EUROCONE CONNECTION SET



# KAS<sup>®</sup>

### **INSTALLATION and OPERATING INSTRUCTION**

- 1-** Do not unpack the valve until installation to prevent falling of any unwanted substance that may affect the working of valve.
- 2-** Take measures against any possible damage that may occur during transport and shipment.
- 3-** Clean away every unwanted substance in your system before installation.
- 4-** Valve should be off position while installing.
- 5-** Be careful that the thread length of the part that will be installed to the valve will not be too longer or too shorter than the thread length of the valve.
- 6-** While installing, grab the valve by the appropriate tool from the across flats where you'll install it.
- 7-** During installation do not use excessive adhesive or any unsuitable substance.
- 8-** Use the valve fully open or fully closed position.
- 9-** Do not paint the valve. Do not expose the valve with abrasive chemicals.
- 10-** Do not use any other tools for opening or closing the valve and do not remove the handle.
- 11-** In case of any damage or disorder, valve should be changed by authorities.
- 12-** Complying with the installation and usage instruction is compulsory. Otherwise, the product will be cut of guarantee.
- 13-** Do not forget to get the document of guarantee. This document is valid only with the related bill.