

# Drain Cock for Manifold

# KAS®



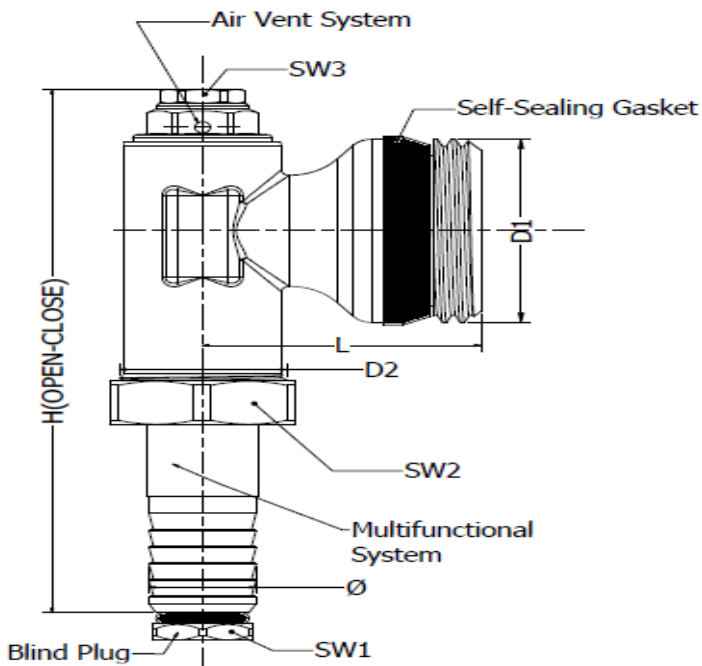
## TECHNICAL DATA SHEET

|                            |                            |
|----------------------------|----------------------------|
| <b>Product Name</b>        | 1" Drain Cock for Manifold |
| <b>Working Temperature</b> | Max. 120°C                 |
| <b>Intended Use</b>        | Water Installation         |
| <b>Pressure Class</b>      | PN 10                      |

## DIMENSIONS

|                  |           |
|------------------|-----------|
| <b>Code</b>      | 18.09.350 |
| <b>D1</b>        | 1"        |
| <b>D2</b>        | M22x1,5   |
| <b>L</b>         | 36        |
| <b>H (Open)</b>  | 87        |
| <b>H (Close)</b> | 96        |
| <b>SW1</b>       | 12        |
| <b>SW2</b>       | 24        |
| <b>SW3</b>       | 10        |
| <b>Ø</b>         | 13,9      |

Dimensions are in "milimeter"

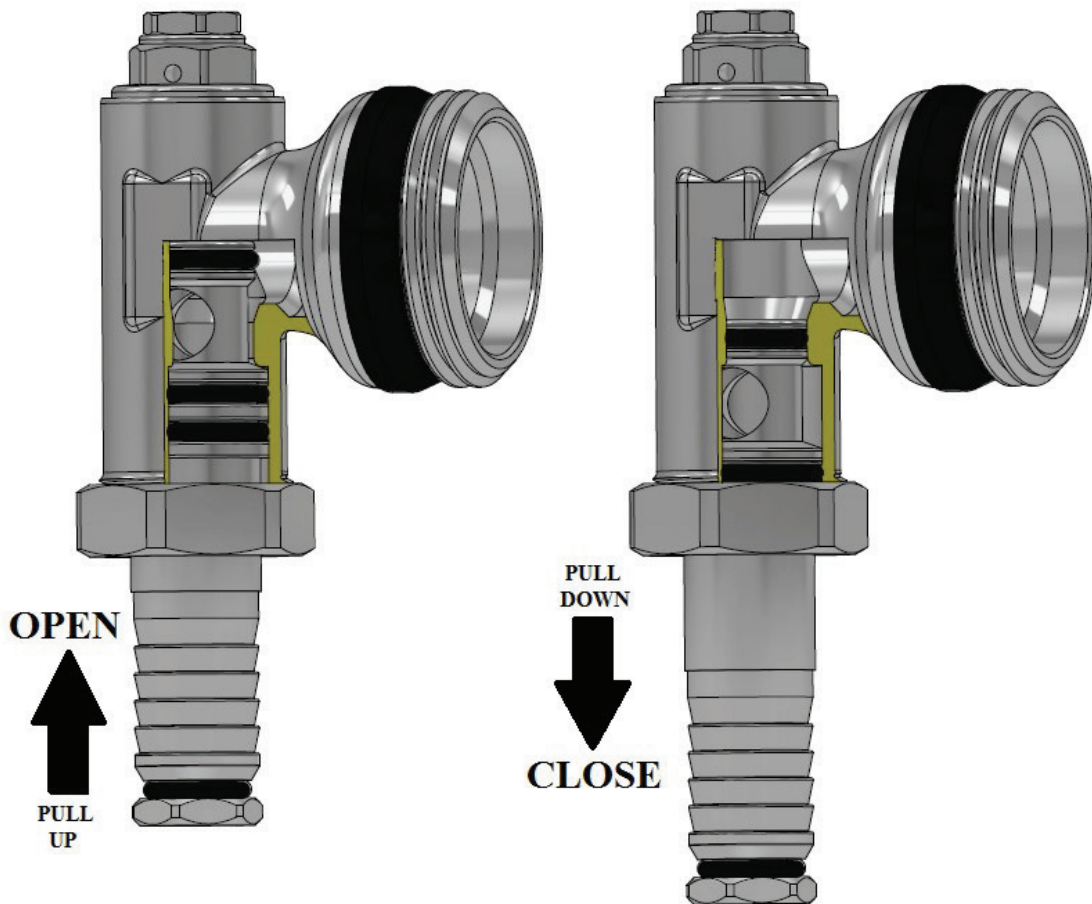


## MATERIALS

|                 |                          |
|-----------------|--------------------------|
| <b>Body</b>     | Brass(CW617N) / (CW614N) |
| <b>Nut</b>      | Brass(CW617N) / (CW614N) |
| <b>Socket</b>   | Brass(CW617N) / (CW614N) |
| <b>Air Vent</b> | Brass(CW617N) / (CW614N) |
| <b>Seals</b>    | NBR / EPDM               |

# Drain Cock for Manifold

# KAS®



## ASSEMBLY and USAGE INSTRUCTIONS

1. Do not unpack the drain cock until installation to prevent falling of any unwanted substance that may affect the working of drain cock.
2. Take measures against any possible damage that may occur during transport and shipment.
3. Clean away every unwanted substance in your system before installation.
4. While installing, grab the drain cock by the appropriate tool from the across flats where you'll install it.
5. During installation do not use any unsuitable substance.
6. Do not paint the drain cock. Do not expose the drain cock with abrasive chemicals.
7. In case of any damage or disorder , drain cock should be changed by authorities.
8. Complying with the installation and usage instruction is compulsory. Otherwise, the product will be out of guarantee.
9. Do not forget to get the document of guarantee. This document is valid only with the related bill.