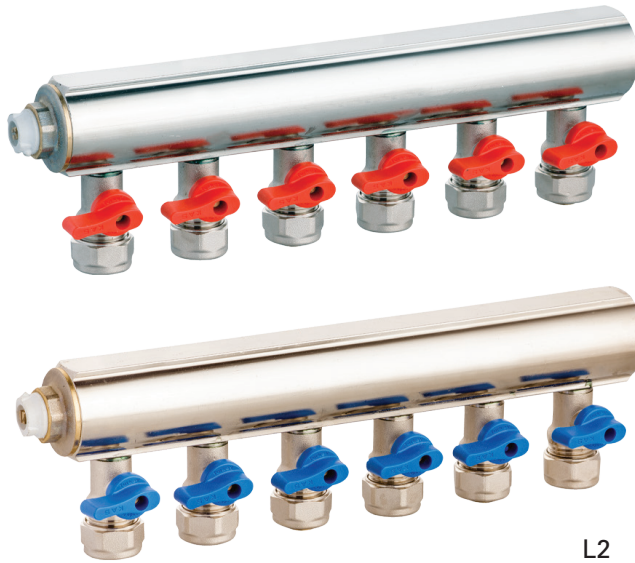


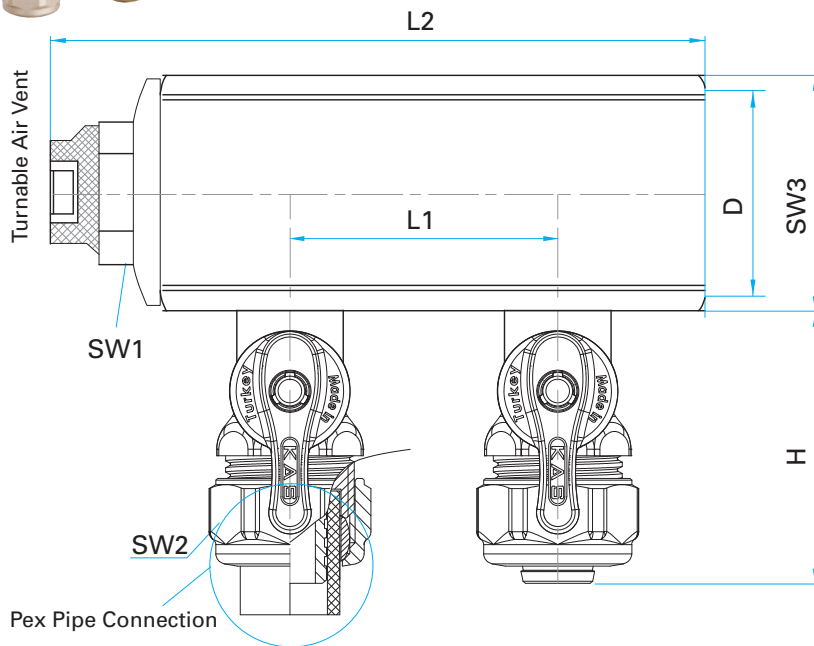
# 1" Manifold with Mini Valve

# KAS®

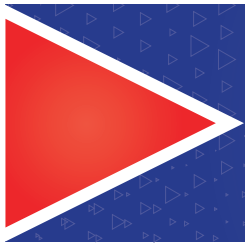


## TECHNICAL DATA SHEET

<b>Product Name</b>	1" Manifold with Mini Valve
<b>Standard</b>	TSE K 534 / TSEK
<b>Max. Working Temperature</b>	120°C
<b>Pressure Class</b>	PN 10
<b>Intended Use</b>	Heating Systems



Dimensions	PRODUCT CODE - 1819...											
	882	883	884	885	886	887	888	889	890	891	892	893
<b>Hole</b>	2	3	4	5	6	7	8	9	10	11	12	13
<b>D</b>	1"	1"	1"	1"	1"	1"	1"	1"	1"	1"	1"	1"
<b>L1</b>	43	43	43	43	43	43	43	43	43	43	43	43
<b>L2</b>	104	147	190	233	276	319	362	405	448	491	534	577
<b>SW1</b>	22	22	22	22	22	22	22	22	22	22	22	22
<b>SW2</b>	24	24	24	24	24	24	24	24	24	24	24	24
<b>SW3</b>	38	38	38	38	38	38	38	38	38	38	38	38
<b>H</b>	44	44	44	44	44	44	44	44	44	44	44	44



# 1" Manifold with Mini Valve



MATERIALS	
<b>Manifold Body</b>	Brass (CW617N)/(CW614N)
<b>Valve</b>	Brass (CW617N)/(CW614N)
<b>Cover</b>	Brass (CW617N)/(CW614N)
<b>Nut</b>	Brass (CW617N)/(CW614N)
<b>Socket</b>	Brass (CW617N)/(CW614N)
<b>Ring</b>	Brass (CW617N)/(CW614N)
<b>Air Vent</b>	Brass (CW617N)/(CW614N)
<b>Gasket - Oring</b>	NBR /EPDM

SURFACE SPECTS (PLATING)	
<b>Manifold Body</b>	Nickel + Chrome
<b>Valve</b>	Nickel
<b>Cover</b>	Nickel
<b>Nut</b>	Nickel

### General Specifications:

- 1- Ball Valve system.
- 2- Turnable Air Vent specification.
- 3- 16x2 or 17x2 Pex Pipe Connections.
- 4- 100 % leakage test for all products, while production.

## INSTALLATION and OPERATING INSTRUCTION

- 1- Make sure there is no damage on the product may occur during transport and shipping. Before assembly do not unpack the product in order to prevent from the external effects.
- 2- Clean all kinds of contaminants before assembly.
- 3- Make sure that the thread length to be connected to the manifold is not too short or too long than the thread length of the manifold.
- 4- Install the Manifold to the system by the appropriate tools.
- 5- First, install the Nut, Ring and Socket to the hose, then screw the nut to the manifold by the appropriate tools.
- 6- Make sure the hose to be connected to the manifold is the correct size(16x2/17x2).
- 7- Observe the axiality during assembly.
- 8- The installation system that manifold connected must be protected against the freezing.
- 9- Manifold is suitable for use in heating systems and should not be used in flammable or combustible gas/liquid installations.
- 10- Do not paint the manifold, do not expose the manifold with abrasive chemicals, do not open or close with any other tool and do not remove the handle.