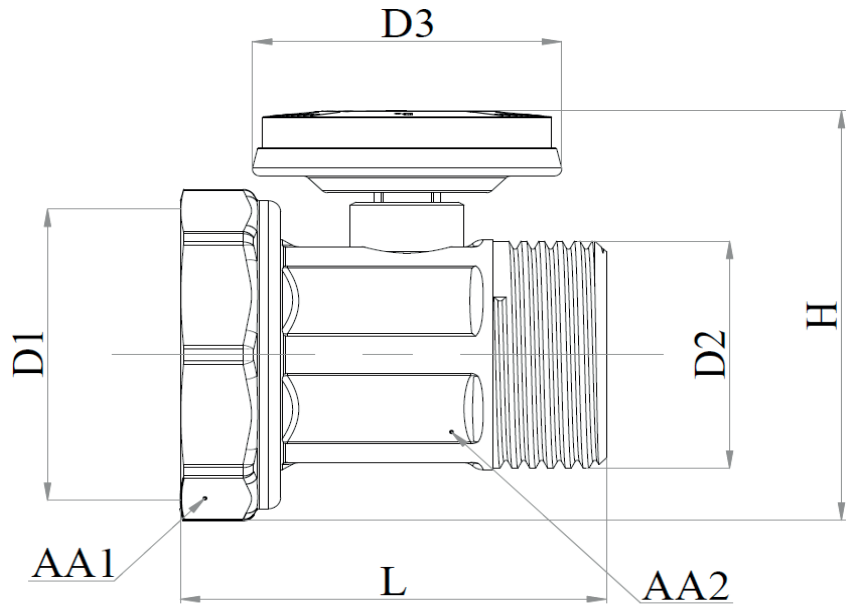


TECHNICAL DATA SHEET

Product Name	Thermometer Manifold Union
Intended Use	Installation Systems

DIMENSIONS

CODE	20.06.005
D1 (thread)	1 1/4"
D2 (thread)	1"
D3	40
AA1	45
AA2	31
L	55
H	59
Thermometer Range	0 - 120°C

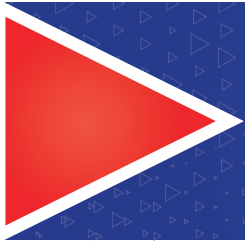


MATERIAL PROPERTIES

SEALED	BRASS (CW617N)/(CW614N)
NUT	BRASS (CW617N)/(CW614N)
GASKET	NBR
ORING	NBR

SURFACE PROPERTIES

SEALED	NICKEL
NUT	NICKEL



INSTALLATION AND USAGE INSTRUCTION

- 1- Do not unpack the valve until installation to prevent falling of any unwanted substance that may affect the working of valve.
- 2- Take measures against any possible damage that may occur during transport and shipment.
- 3- Clean away every unwanted substance in your system before installation.
- 4- Valve should be off position while installing.
- 5- Be careful that the thread length of the part that will be installed to the valve will not be too longer or too shorter than the thread length of the valve.
- 6- While installing, grab the valve by the appropriate tool from the across flats where you'll install it.
- 7- During installation do not use excessive adhesive or any unsuitable substance.
- 8- Use the valve fully open or fully closed position.
- 9- Do not paint the valve. Do not expose the valve with abrasive chemicals.
- 10- Do not use any other tools for opening or closing the valve and do not remove the handle.
- 11- In case of any damage or disorder, valve should be changed by authorities.
- 12- Complying with the installation and usage instruction is compulsory. Otherwise, the product will be out of guarantee.
- 13- Do not forget to get the document of guarantee. This document is valid only with the related bill.