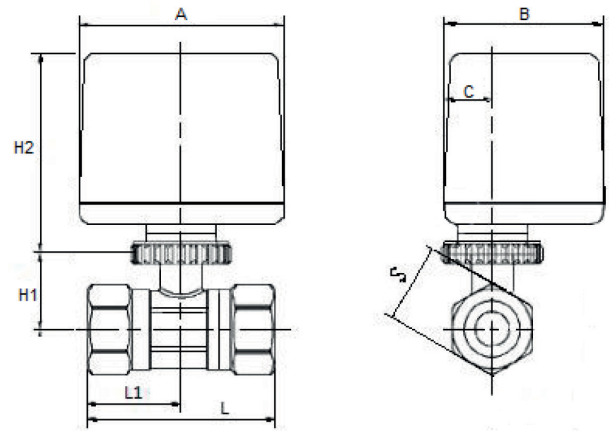


Two Way Motorized Ball Valve

KAS®

TECHNICAL DATA SHEET

Product Name	Two Way Motorized Ball Valve
Dimension	DN25
Operating Temperature Range	1°C to 95°C
Power	AC220V
Power consumption	5W (When Walf Position Changes)
Operation time	15sec. (50Hz)/12sec.(60Hz)
Pressure Rating/Max. Differential Pressure	2MPa/1MPa
Valve Body	Brass forging. Forged brass with optional nickel plated
Sphere	Stainless steel
Shaft	Brass
Gasket	2 EPDM O-Ring Lubricated
Protection Class	IP 65
Intended Use	In single point controlled underfloor heating systems, it is used to turn the system on or off from the main line.



Valve Size	Dimensions								Valve Kv Value
	L (mm)	L1 (mm)	S (mm)	H (mm)	H1 (mm)	A (mm)	B (mm)	C (mm)	
1"	84.5±1	43	40	30	80	81.5	63.5	19	13.02

R00